

# MECHANICAL DRAFTING 101 ~ DRAFTING TABLE

BY TIM DAVIS

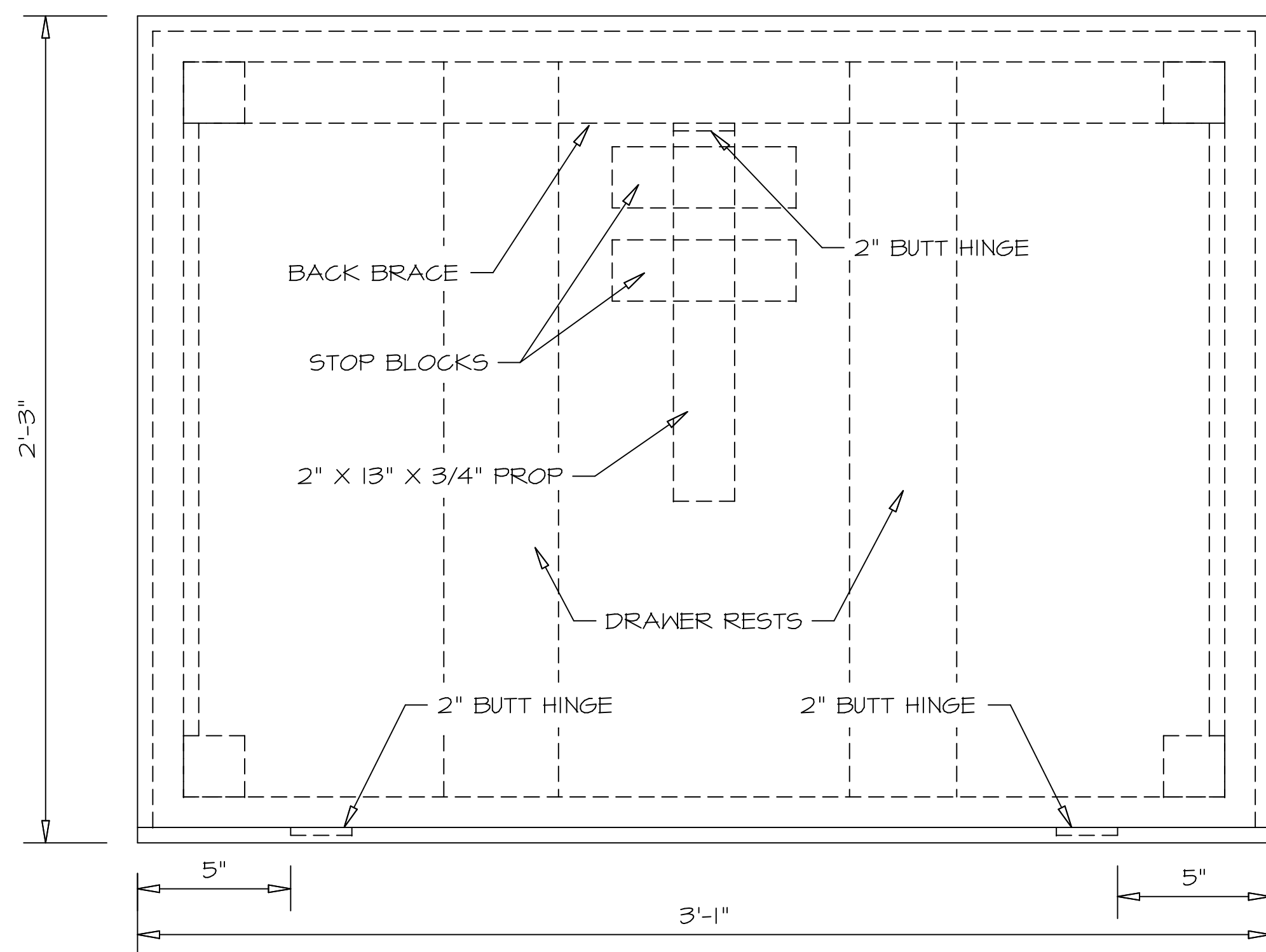


TABLE TOP VIEW

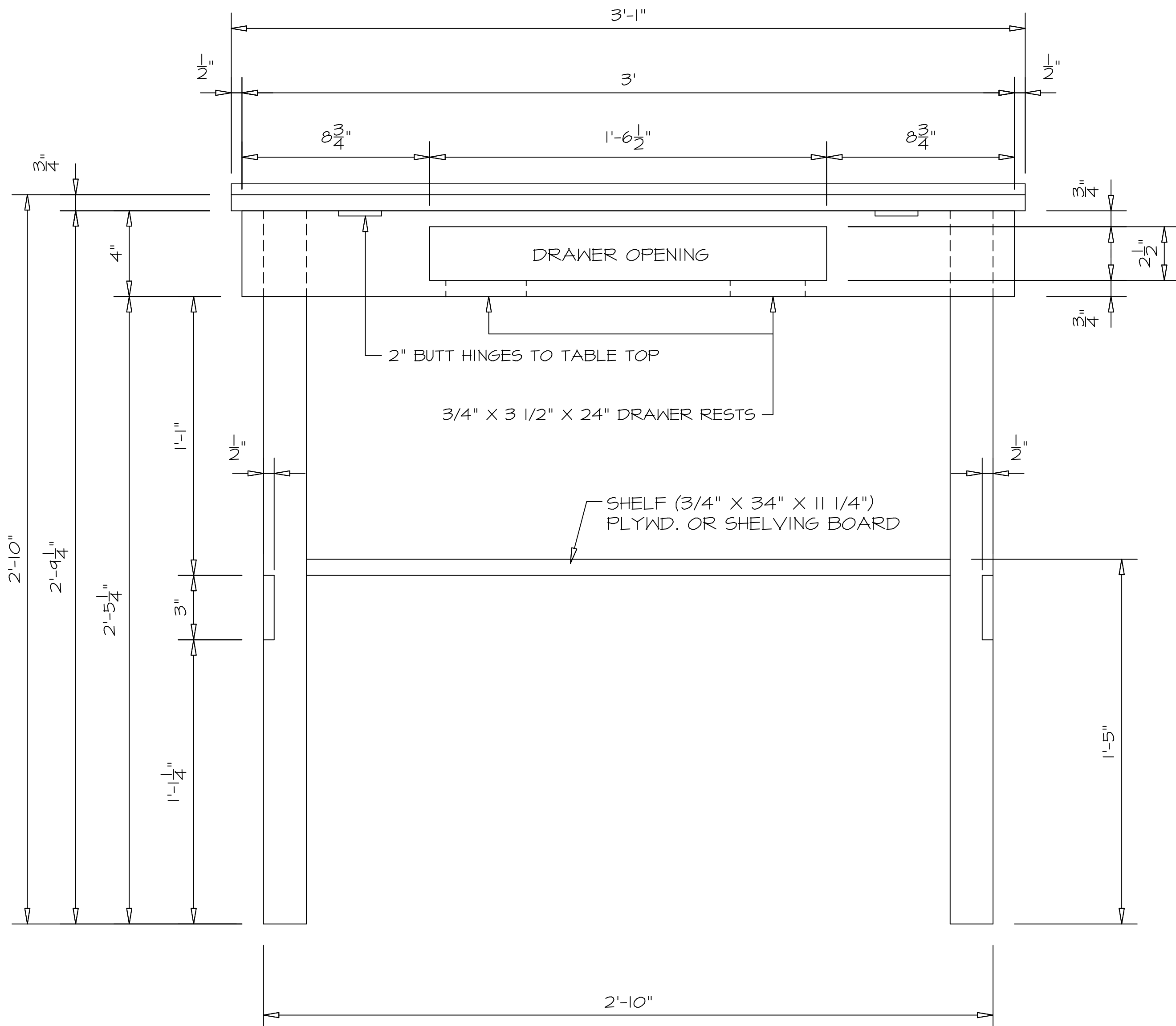


TABLE FRONT VIEW

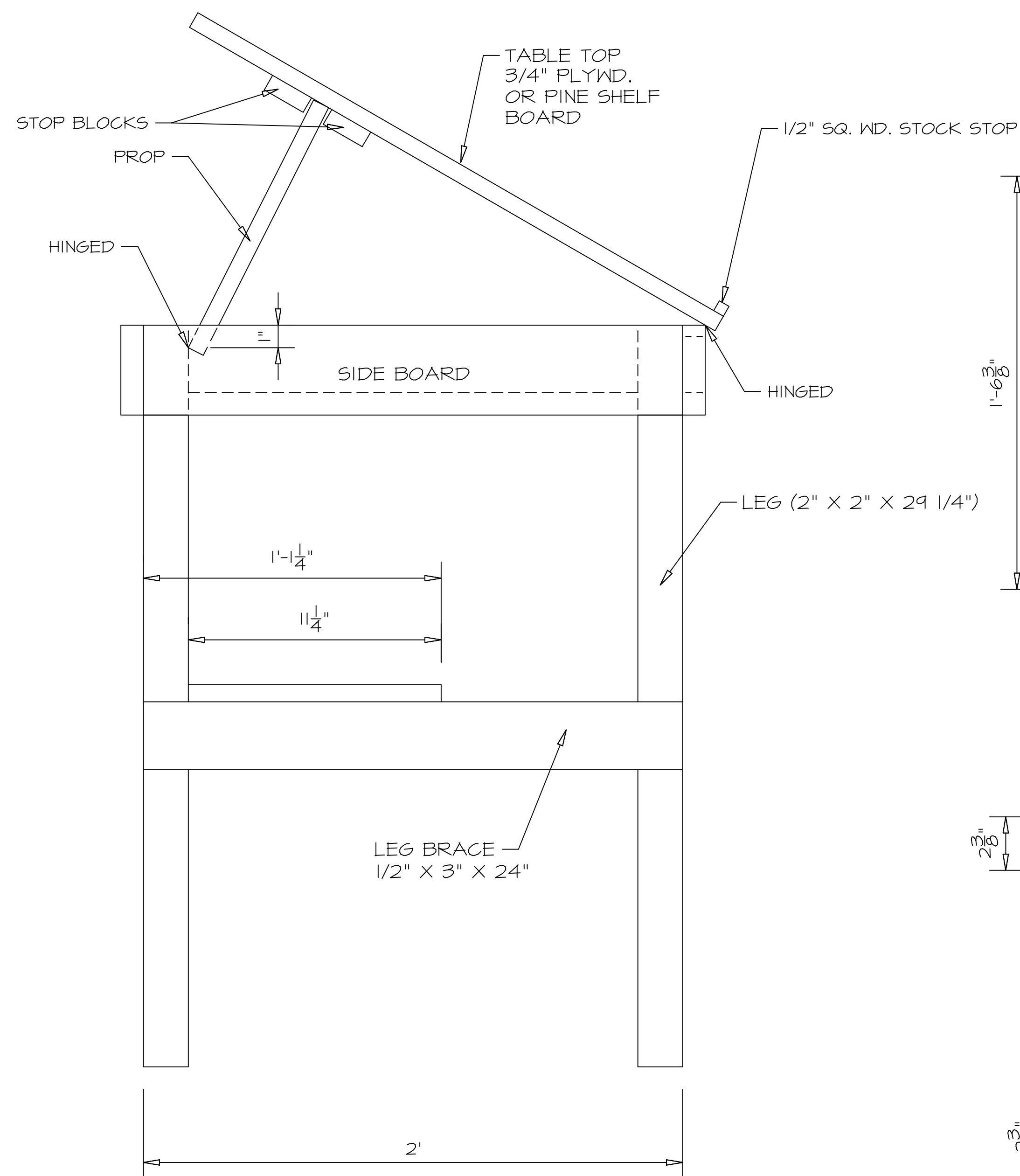
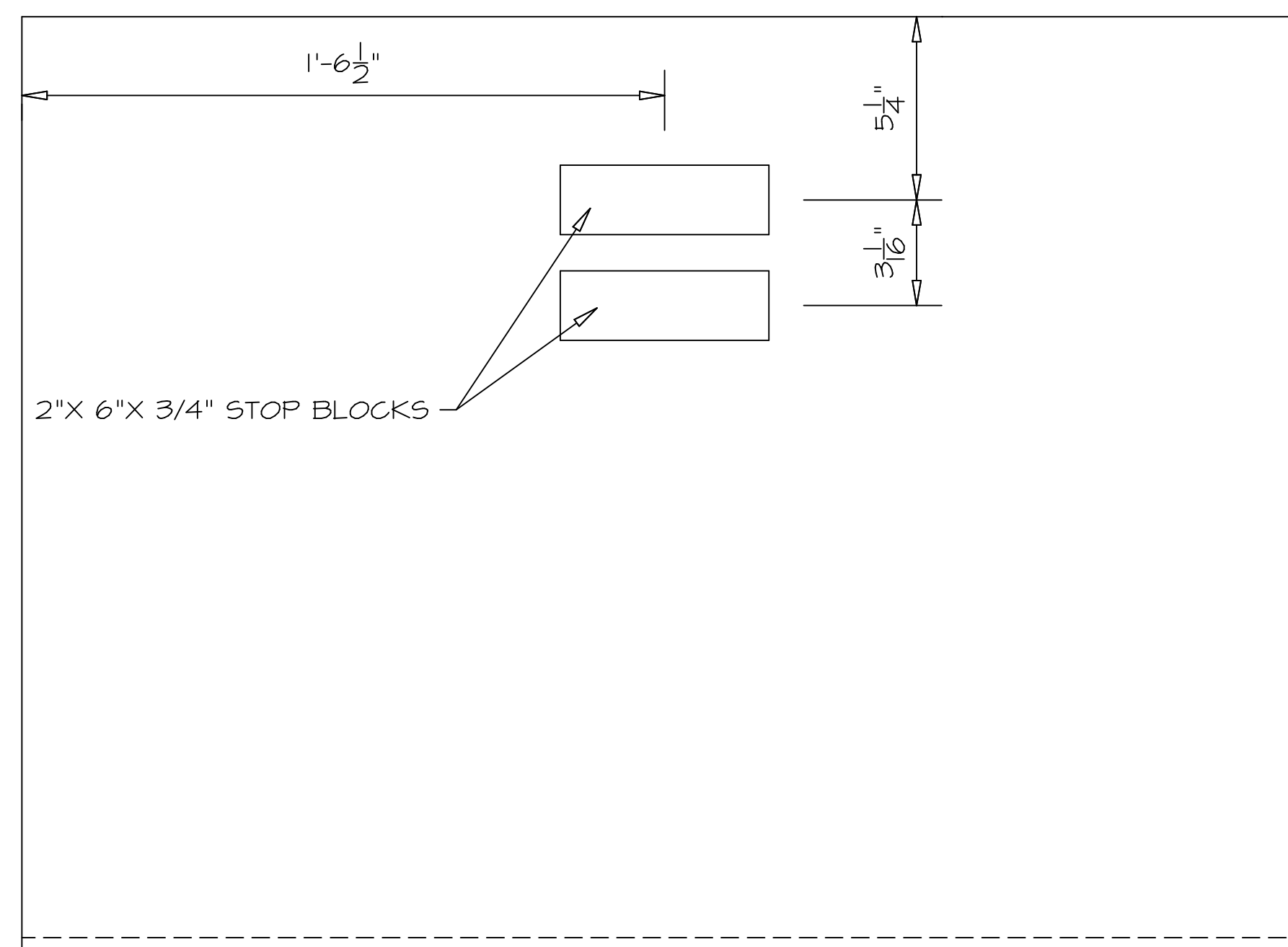
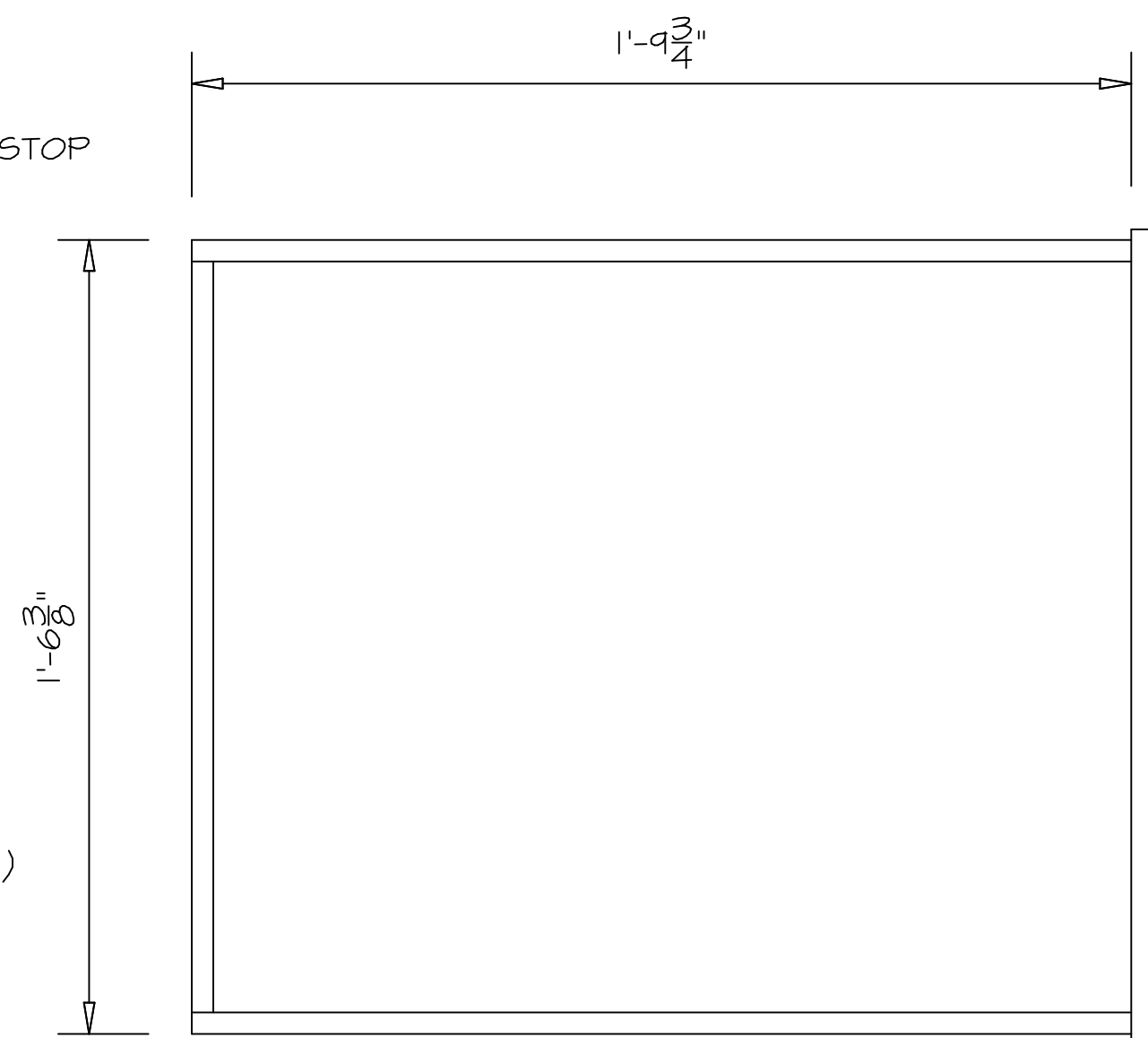


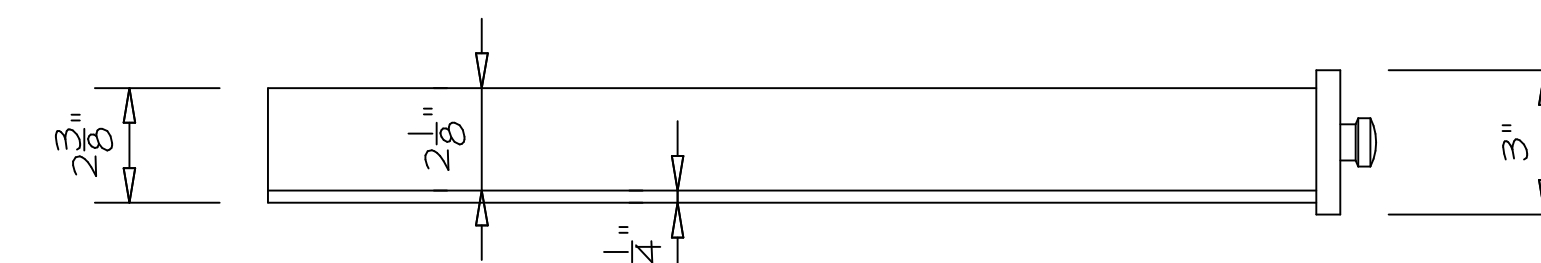
TABLE LEFT VIEW



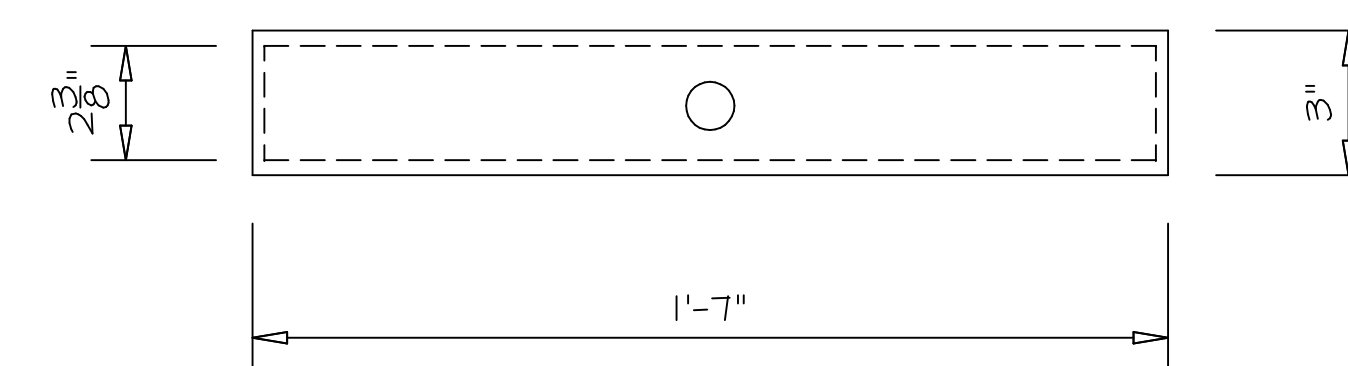
TOP UNDER VIEW



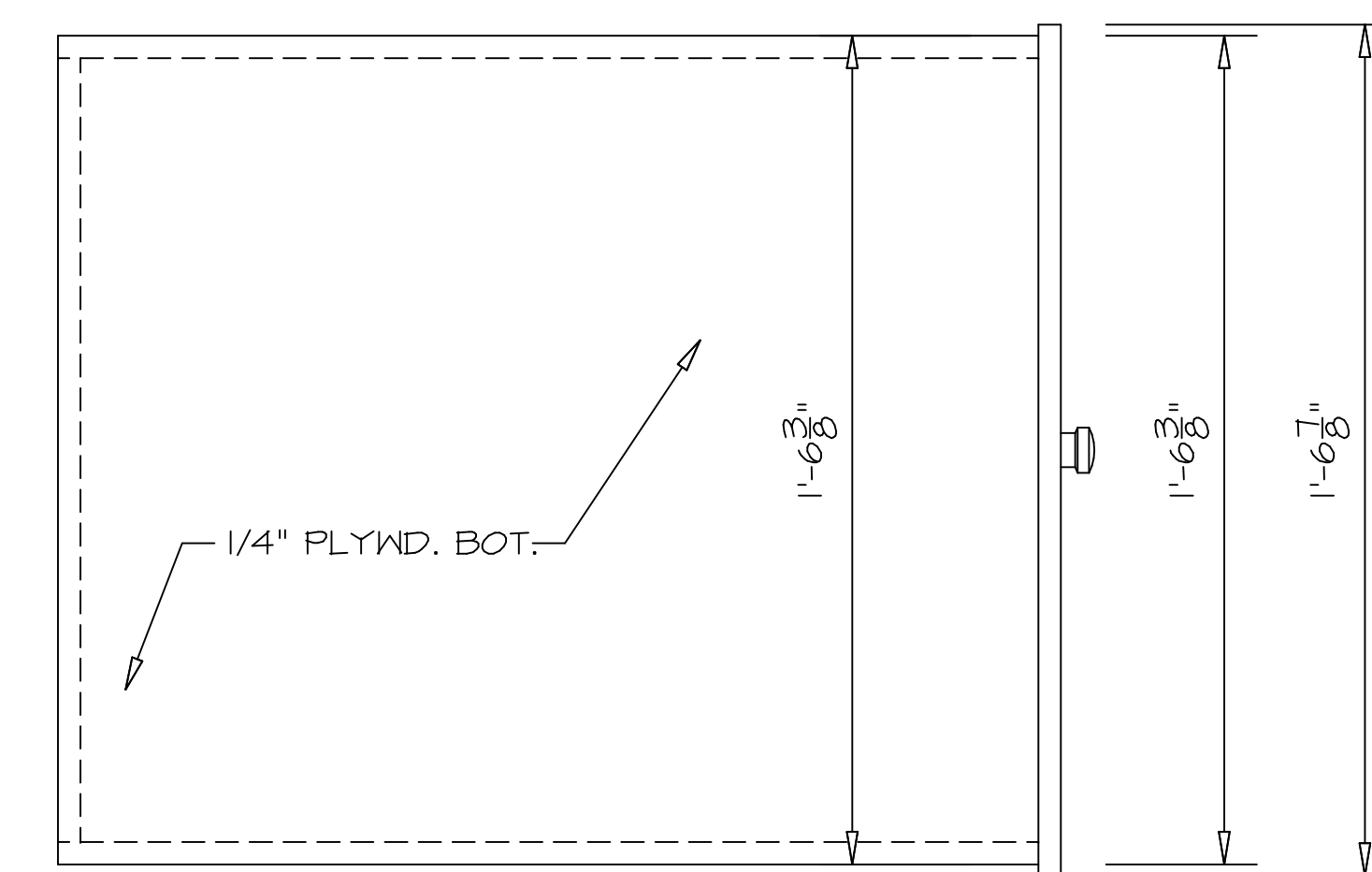
DRAWER TOP VIEW



DRAWER LEFT VIEW



DRAWER FRONT VIEW



DRAWER BOTTOM VIEW